

# MANISCOPIC


## ■ MT 1440




- Maximum lifting height: 13.53 m
- Capacity: 4000 kg
- Maximum forward reach: 9.38 m
- Hydraulic stabilizers
- Frame levelling:  $\pm 9^\circ$
- Torque convertor


 **MANITOU**


# MT 1440


 **Lifting capacity** .....4000 kg  
 at 500 mm from forks heels.  
 Tipping load at maximum reach  
 with stabilizers .....1950 kg  
 Tear out force with bucket  
 to ISO 8313 .....8000 daN


 **Lifting height** .....13.53 m  
**Times: unladen / loaded (in s)**  
 Lifting .....15.5/15  
 Lowering .....11.5/11.1  
 Extension boom .....16.4/16.4  
 Retraction boom .....11.9/11.8  
 Crowd .....4  
 Dump .....4


 **Tyres** .....400/80-24


 **Forks (mm)**  
 Length .....1200  
 Width x thickness .....125 x 50  
 Maximum distance between forks .....1040  
 Carriage rotation .....126°


 **Multidisc brakes - hydraulically assisted on both axles**

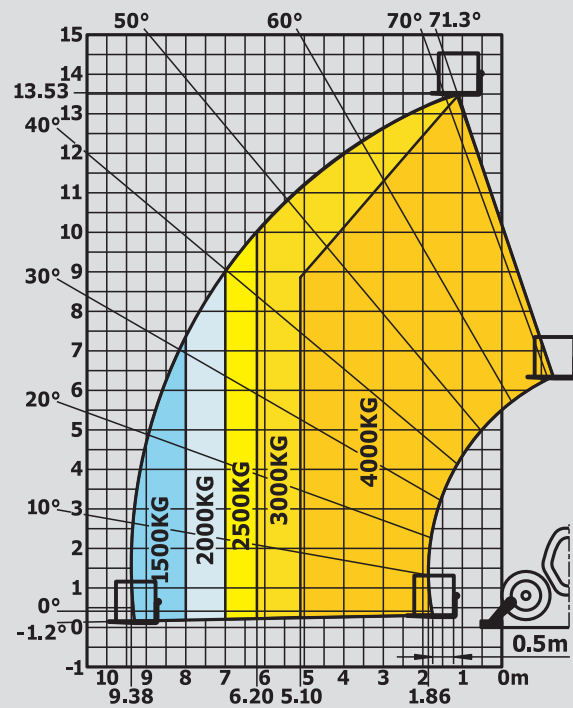
 **PERKINS Engine**  
 Type .....1104D-44TA  
 Capacity .....4 cylinders - 4400 cm<sup>3</sup>  
 Power:  
 (ISO/TR 14396) ....74.5 kW/101 HP at 2200 rpm  
 Maximum torque .....400 Nm at 1400 rpm  
 Direct injection  
 Water cooling

 **Transmission** .....torque convertor  
 Electro-hydraulic reversing shift  
 4 speeds forward and reverse  
 Maximum travel speed (kph) .....25

 **Hydraulics**  
 Pump .....gear type  
 pressure/capacity .....270 bar/170 l/min

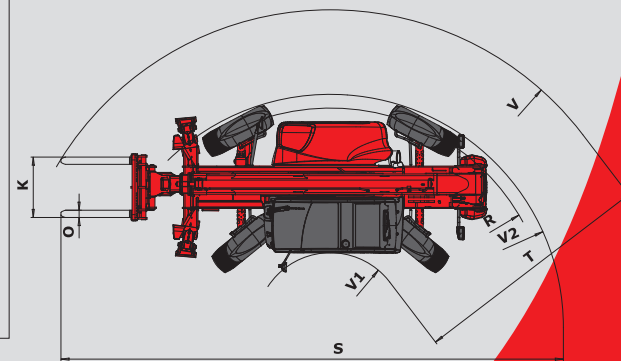
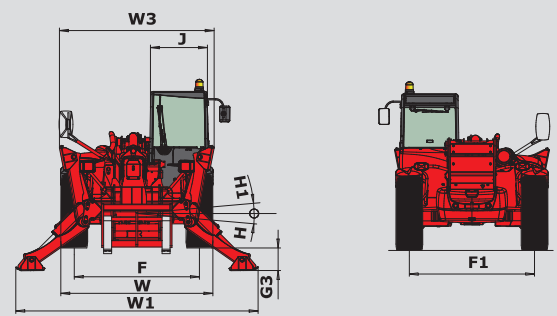
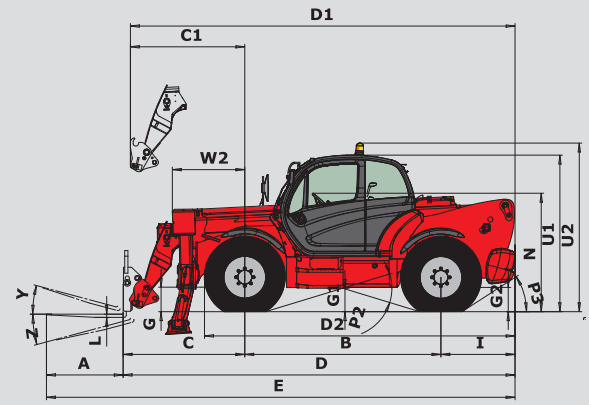
 **Capacities**  
 Cooling system .....20 l.  
 Engine oil .....10.9 l.  
 Hydraulic oil .....175 l.  
 Transmission oil .....23 l.  
 Fuel tank .....140 l.

 **Weight unladen** .....11115 kg  
**Overall width** .....2.35 m  
**Overall height** .....2.45 m  
**Turning radius (outside wheels)** .....3.98 m  
**Overall Length** .....6.13 m  
**Ground clearance** .....0.38 m  
**Drawbar pull** .....8250 daN



Under  
 EN 1459  
 annexe B

A	1200
B	3070
C	1905
C1	1790
D	6135
D1	6020
D2	4872
E	7335
F	1960
F1	1960
G	384
G1	367
G2	380
G3	355
H	9°
H1	9°
I	1160
J	892
K	1040
L	50
N	1855
O	125
P2	34
P3	33
R	3779
S	8615
T	4183
U1	2452
U2	2640
V	5468
V1	1285
V2	3975
W	2351
W1	3793
W2	1134
W3	2422
Y	12
Z	114



The specifications contained herein shall not bind the manufacturer and are subject to change without notice. This equipment described in this leaflet may be standard, optional, or unavailable, depending on the versions. For more details, contact your MANITOU dealer.

**MANITOU BF SA**  
 B.P. 249 - 44158 Ancenis Cedex - France  
 Tel. : 33 2 40 09 10 11 / Export Department Fax : 33 2 40 09 10 97  
 www.manitou.com

